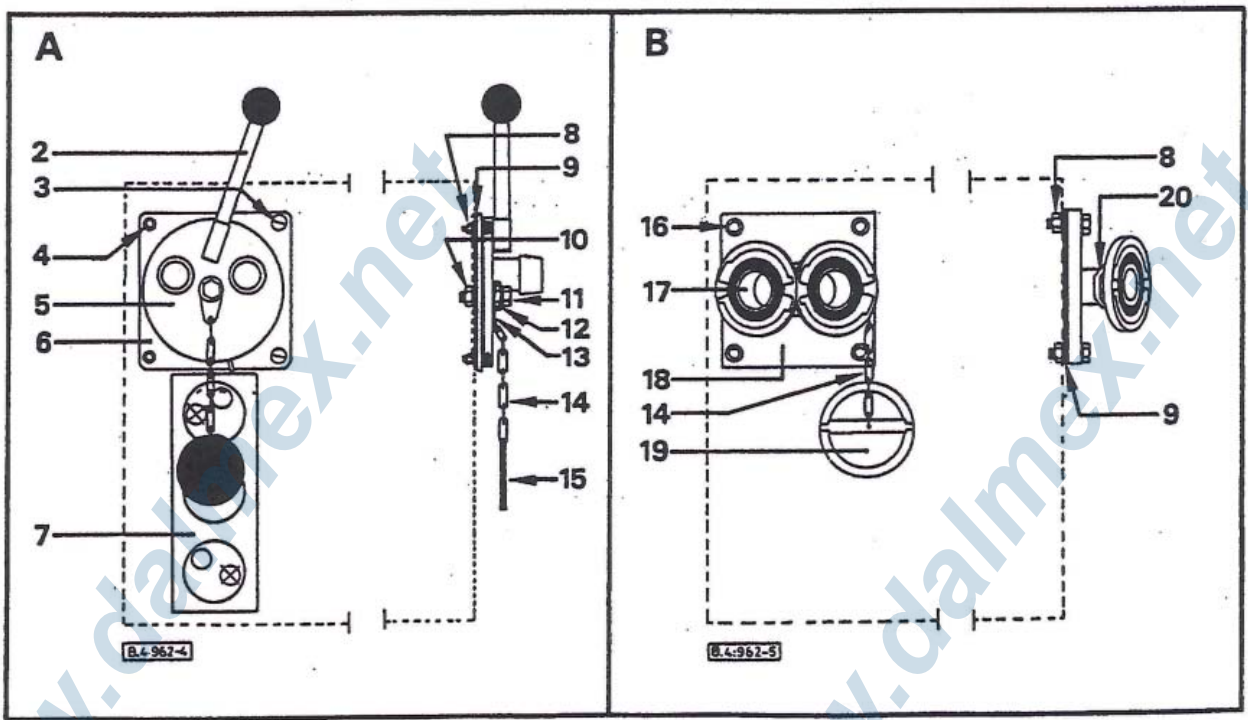
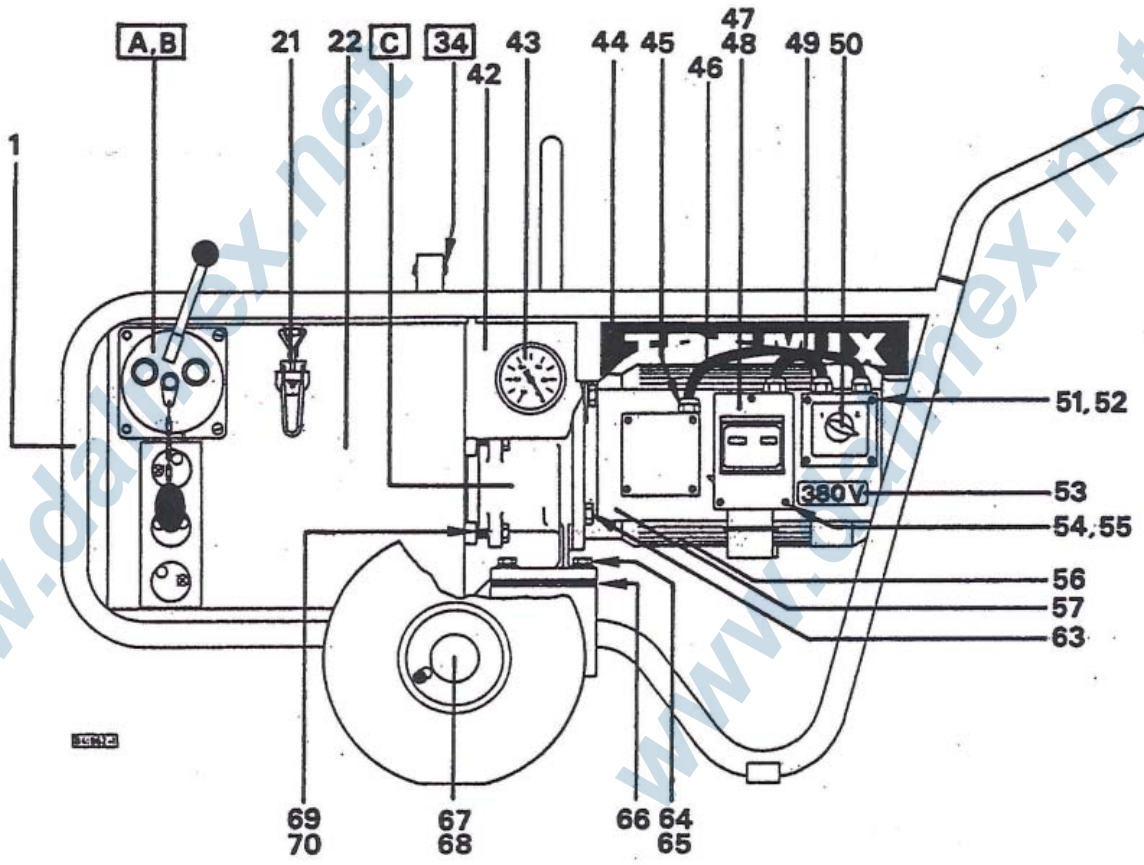

Vacuum Pump Unit with electric motor **P4001E**

TREMIX P4001E

Date 2009-06

Pos	Part No	Description	Qty
1	4700021636	Chassis	1
1	4700045787	Locking pin	1
3		Screw	2
4		Screw	2
5	4700045769	Valve compl.	1
*	4700045765	Valve sealing *	1
	4700045768	Valve plate	1
		Slotted pin	1
6	4700045770	Cover plate	1
7	4700045772	Label	1
8		Nut	4
9	4700045771	Gasket	1
10		Nut	1
11		Screw	1
12		Cup spring	2
13	4700010225	Link coupling	1
14		Chain KRL Ø 2.8 links	1
15	4700045773	Rubber disk	1
16		Screw	4
17	D604000665	Suction coupling.	2
	D604000667	with Rubber packing	
18	D604045922	Suction hose connection	1
19	D604000666	Blind sheet	1
20	4700000625	Hexagon pipe	2
21	4700001635	Over-center catch	2
		Nut	2
22	D604011466	Vacuum tank	1

* To be fixed with EC 1711 (3M)



Date 2009-06

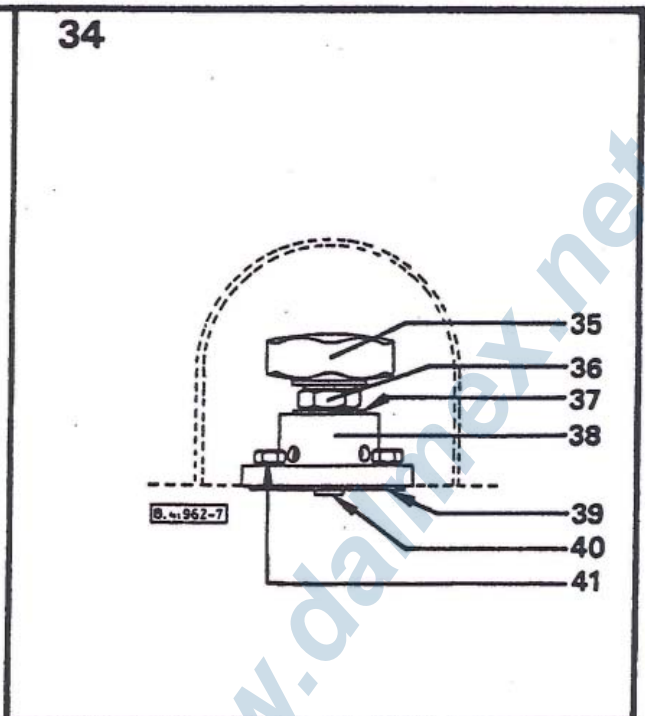
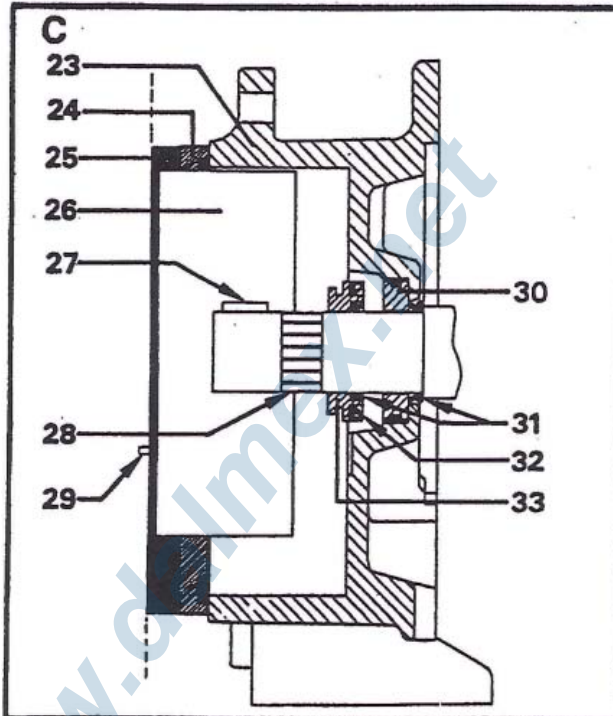
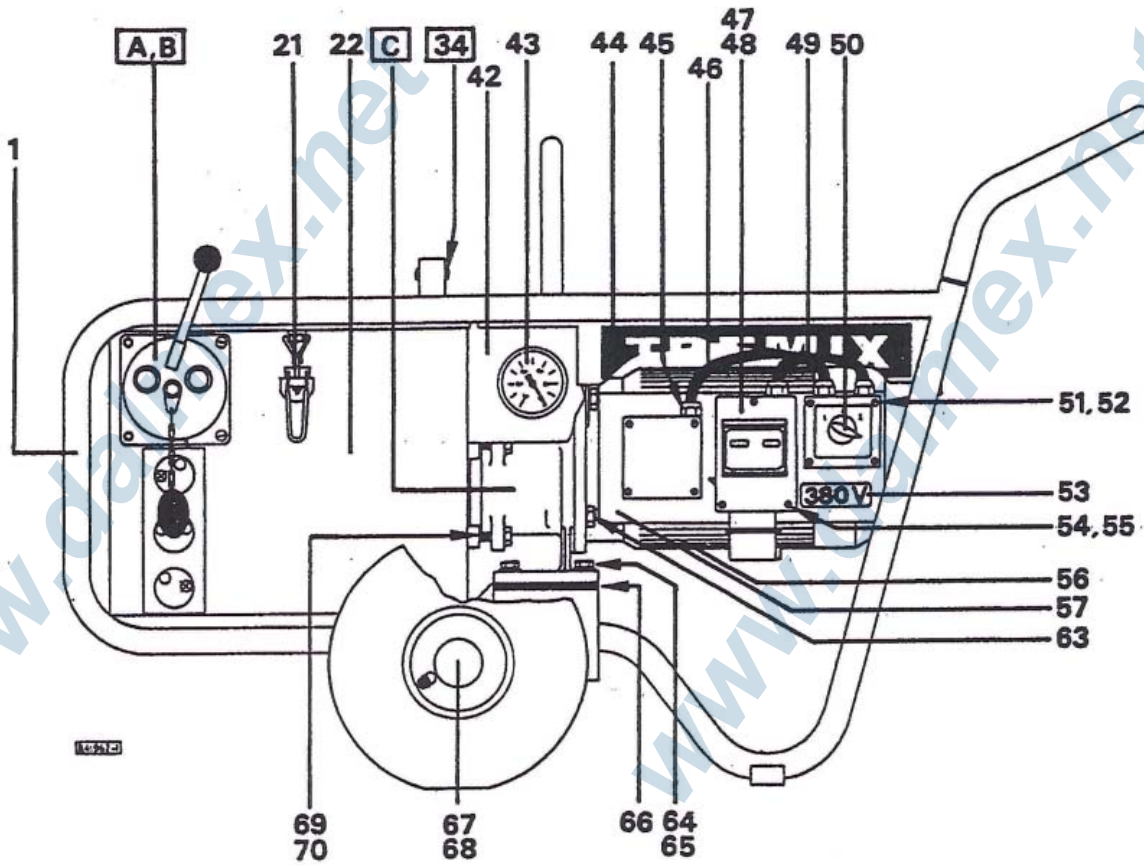
TREMIX P4001E

Pos	Part No	Description	Qty
23	D604011467	Pump body	1
24	D604031878	Valve plate compl.	1
	4700031894	Valve plate	1
	4700031895	Rubber ring *	1
25	D604031845	Pump packing	1
26	D604032004	Impeller	1
27		Key R 10x8x20	1
28		Tolerance ring 7870	1
29		Pin FRP 2.5x24	2
30	D604045913	Packing ring compl.	1
	D604045918	Packing ring	1
	D604045919	Rubber ring	1
31	D604000363	V-ring V 35 A	2
32	D604000364	V-ring V 45 A	1
33	D604045911	Packing ring	1
34	D604045502	Vacuum reduction valve compl.	1
35	4700001560	Star knob	
36		Nut ML6M 12	1
37		Washer BRB 13x24	1
38	4700045503	Valve housing	1
39	D604045505	Valve sealing	1
40	D604045504	Valve screw	1
41		Screw MCS 5x10	4
42	4700031885	Bracket	1
43	D604001570	Vacuum gauge	1
44	4700001261	Label "Tremix"	2

Re item 24 valve plate complete D604031878

If valve plate 031894 or rubber ring 31895 must be replaced because of wear, the spare part to be ordered always is valve plate complete 31878.

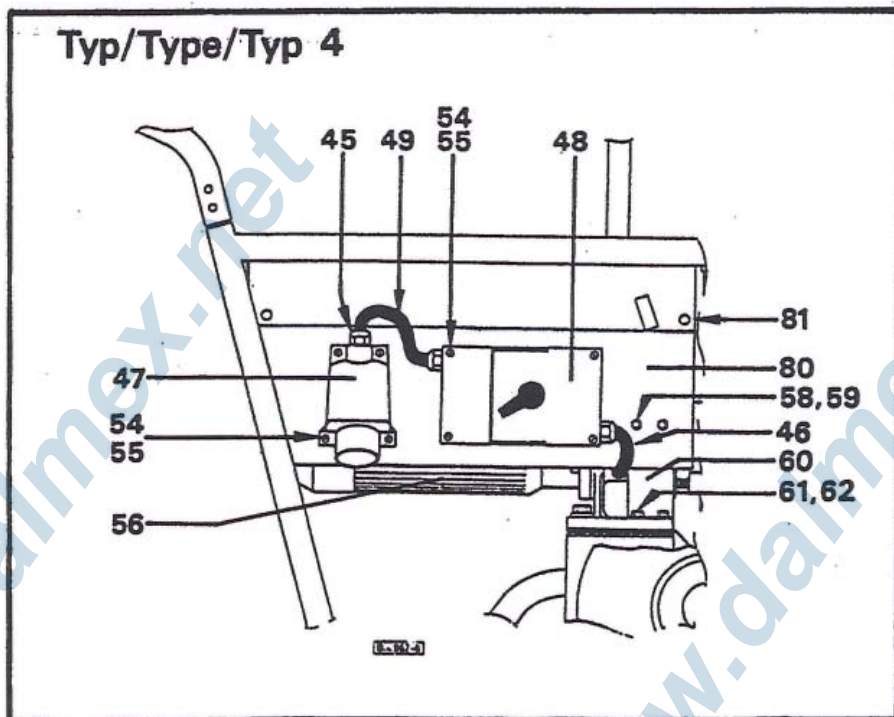
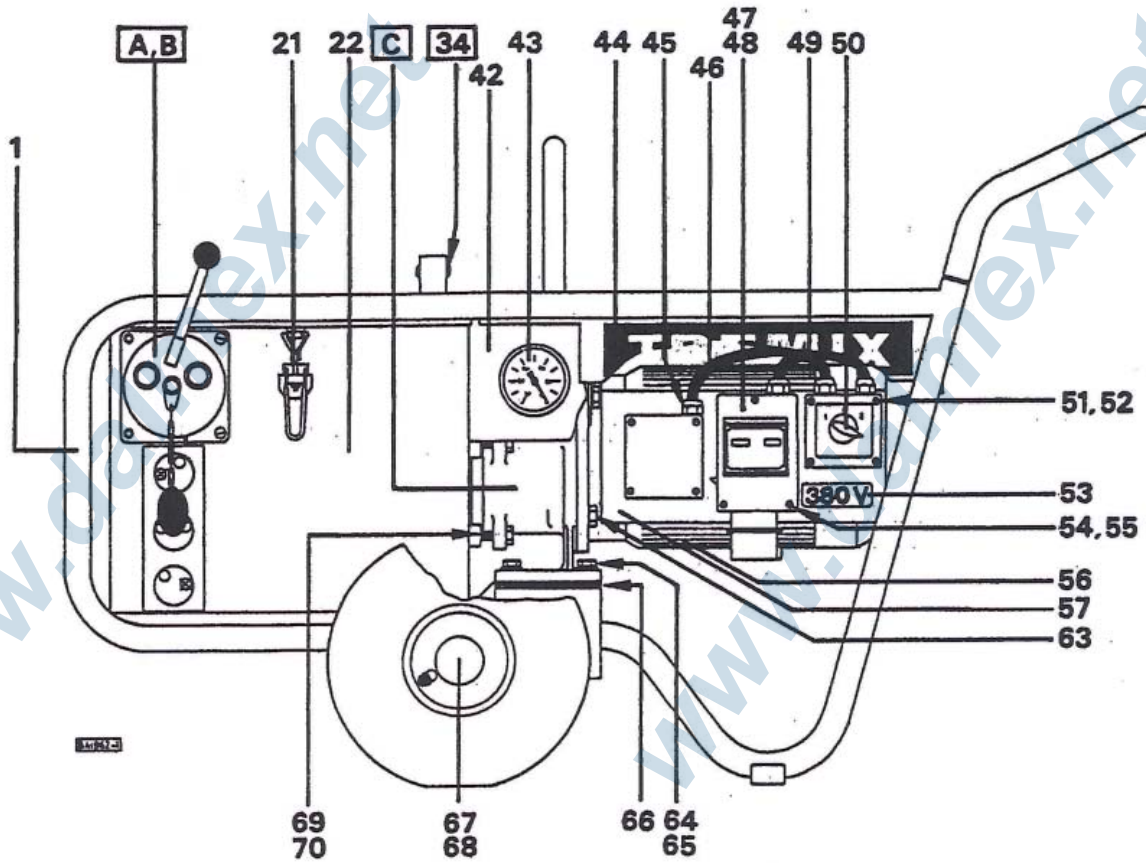
Because of the great precision required at vulcanizing and grinding the rubber ring in the valve plate, these operations take place in our factory.



Date 2009-06

TREMIX P4001E

Pos	Part No	Description	Qty
45	4700001063	Gland nut type 1-3	4
	4700003023	Gland nut type 4	1
	4700001150	Gland nut type 4	3
	4700001063	Gland nut type 5	3
	4700001150	Gland nut type 5	1
46	4700001042	Cable. RDOE-S 4x2.5 mm ² L=450 mm. type 1-3.5	1
	4700003027	Cable. REV 4x4 mm ² L=1000 mm. type 4	1
47	4700003047	Appliance inlet/ Motor guard type 1. 3	1
	4700003051	Appliance inlet/ Motor guard type 2	1
	4700003029	Appliance inlet type 4	1
	4700003028	Appliance inlet type 5	1
48	4700003033	Motor guard type 4	1
	4700003032	Motor guard type 5	1
	4700000968	Motor guard box type 5	1
49	4700001042	Cable. RDOE-S 4x2.5 mm ² L=350 mm. type 1-3.5	1
	4700003027	Cable. REV 4x4 mm ² L=350 mm. type 4	1
50	D604000954	Switch. type 1-3	1
51		Screw MCS 4x10. type 1-3	4
52		Nut M4 Nyloc. type 1-3	4
53	4700045986	Voltage sign type 1, 3	1
	4700045985	Voltage sign type 2	1
	4700045962	Voltage sign type 4	1
	4700045959	Voltage sign type 5	1
54		Screw MCS 5x16. type 1-3	3
		Screw MCS 5x16. type 4, 5	10
55		Nut M5 Nyloc. type 1-3	3
		Nut M5 Nyloc. type 4, 5	10
56	D604003049	Electric motor type 1-3	1
	4700003050	Electric motor type 4, 5	1
57	4700032010	Socket plate type 1-3, 5	1
58		Screw M6S 6x20. type 4	2
59		Nut M6 Nyloc. type 4	2
60	4700046008	Side plate bar type 4	1
61		Screw MCS 6x50. type 4	2
62		Nut M6 Nyloc. type 4	2
63		Screw M6S 12x25	4
64		Screw M6S 12x75. type 1-3	4
		Screw M6S 12x90. type 4, 5	4
65		Washer BRB 12x22x2	4
66	4700045941	Rubber damper type 4, 5	2
67	D604001447	Pneumatic tyred wheel	2
68	4700000404	Locking ring SgA 25	4
69		Screw M6S 12x50	5
70		Wascher BRB 12x22x2	5

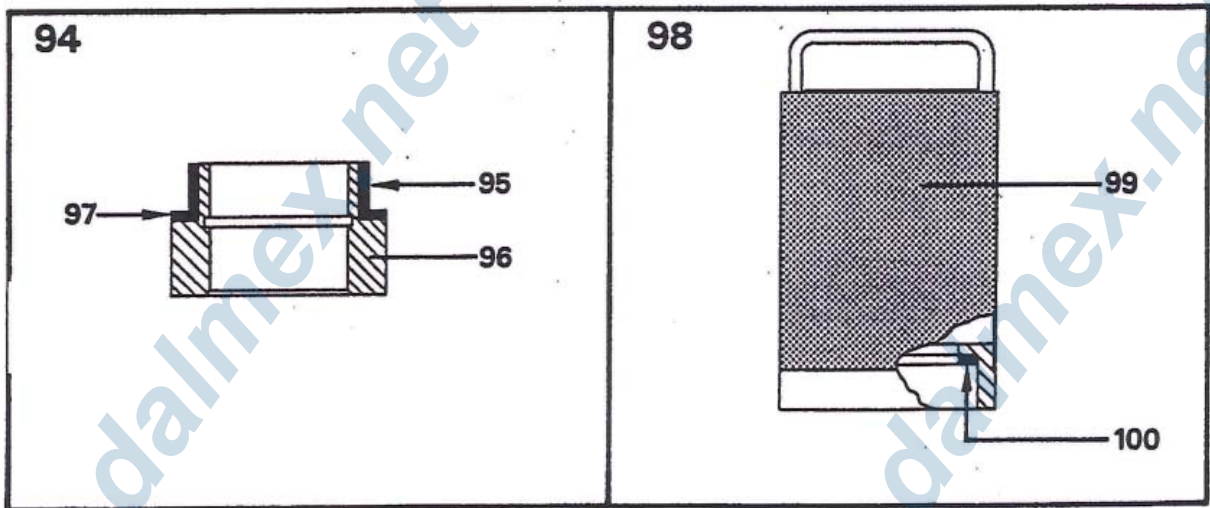
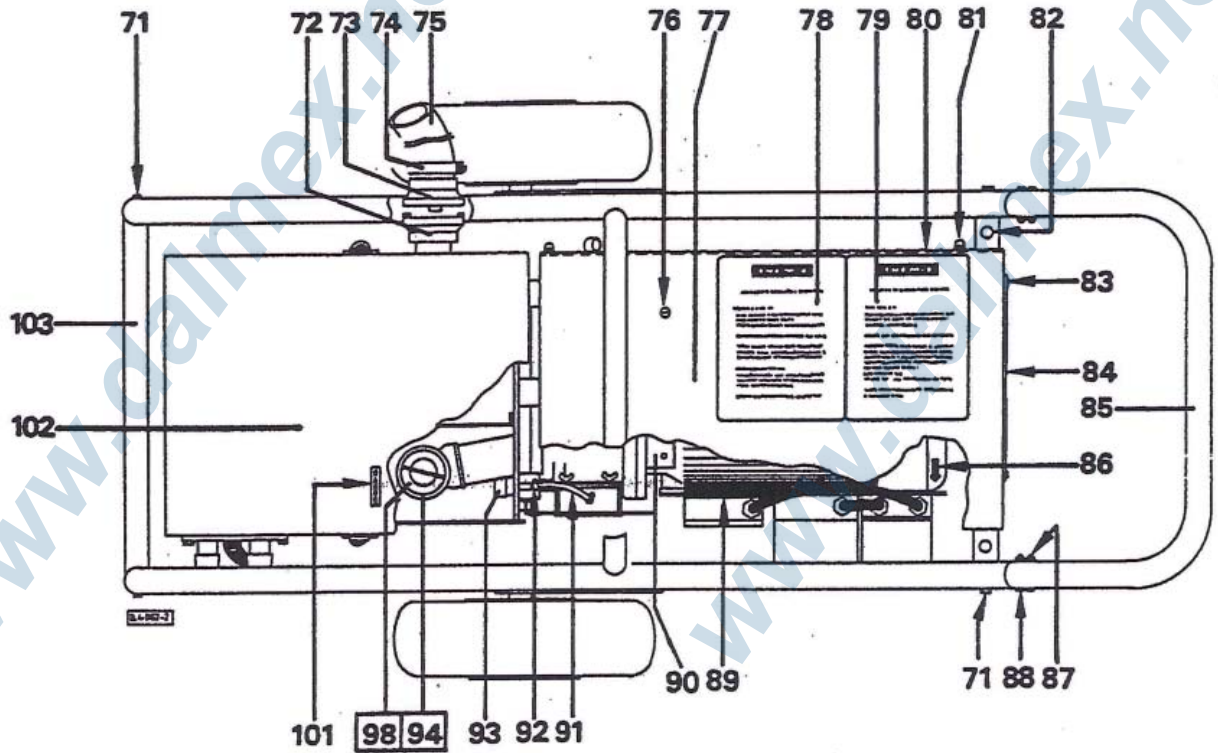


Date 2009-06

TREMIX P4001E

Pos	Part No	Description	Qty
71		Screw	4
72	D604000665	Suction coupling with	1
	D604000667	Rubber packing	
73	D604000664	Suction coupling with	1
	D604000667	Rubber packing	
74	D604001256	Hose clamp	1
75	D604001232	Hose 1 1/2" L=15 m	1
76		Screw	2
77	4700031990	Cover plate	1
78	4700001588	Label "Instruction RM60"	1
79	4700001658	Label "Instruction P4001E"	1
80	4700031892	Side plate	1
	4700032009	Side plate	1
81		Nut	2
82		Plug Kapsto	6
83		Popnail Ø 3.2	4
84	4700030358	Name plate	1
85	4700031986	Handle	1
86	D604045075	Arrow	1
87		Nut M6 Nyloc	4
88		Screw	4
89	4700001657	Rubber packing	1
	4700001659	Rubber packing	1
90	4700031936	Cover plate socket	1
91	D604001206	Hose L=110 mm	1
92	4700001597	Hose clamp	2
93	D604045756	Splash shield	1
94	D604045947	Filter socket compl.	1
95	4700045949	Busch	1
96	4700045952	Muff	1
97	4700045951	Sealing washer *	1
98	4700045946	Filter compl.	1
99	4700045966	Filter	1
100	4700045950	Sealing washer *	1
101	4700045074	Label "MIN-MAX"	1
102	4700046007	Tank cover compl.	1
	4700032008	Tank cover	1
	4700045925	Rubber packing *	1
103	4700045936	Tie bar	2

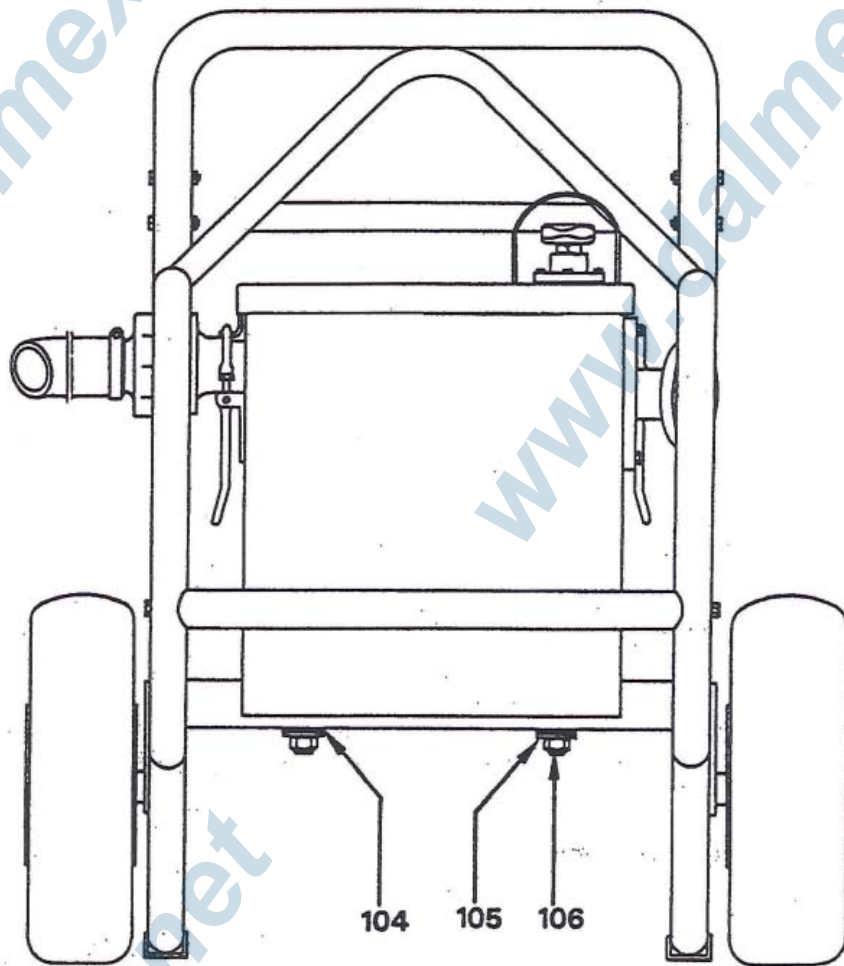
* To be fixed with
EC 1711 (3M).



TREMIX P4001E

Date 2009-06

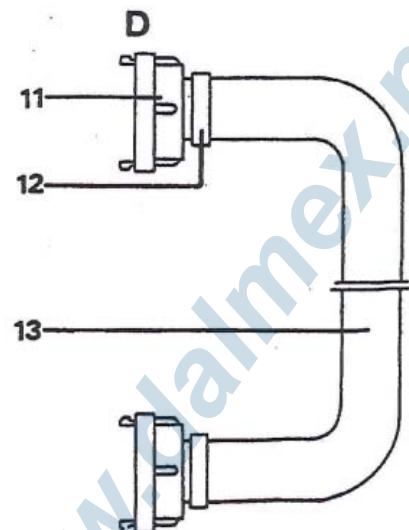
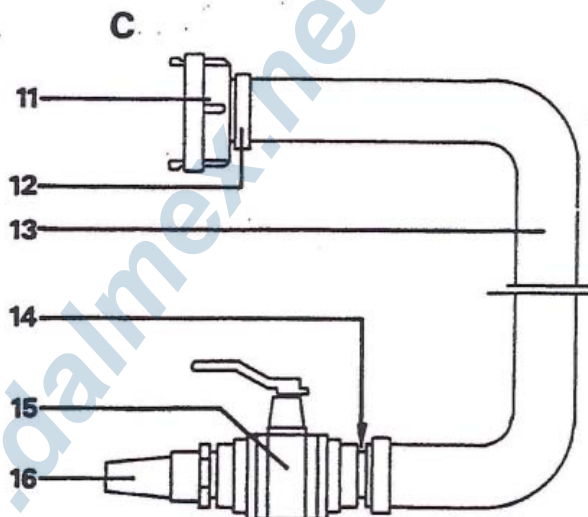
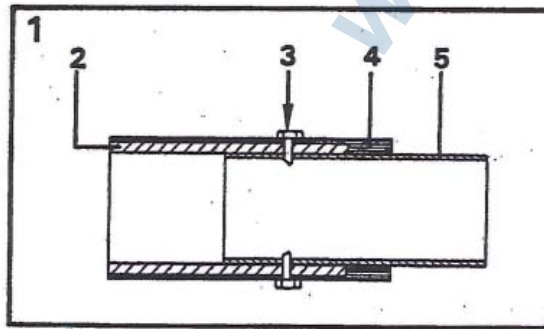
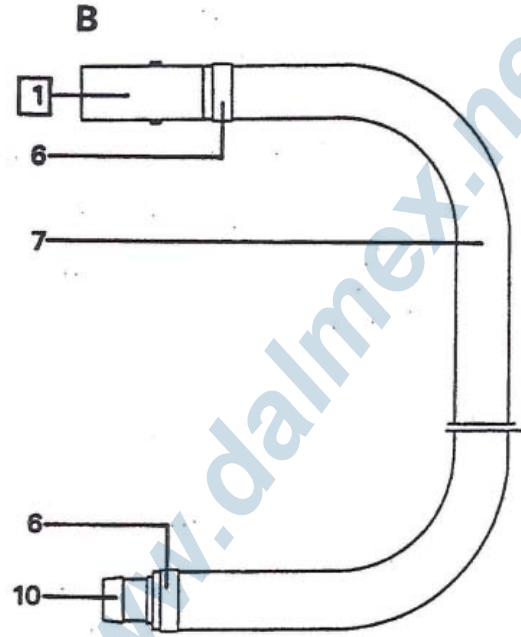
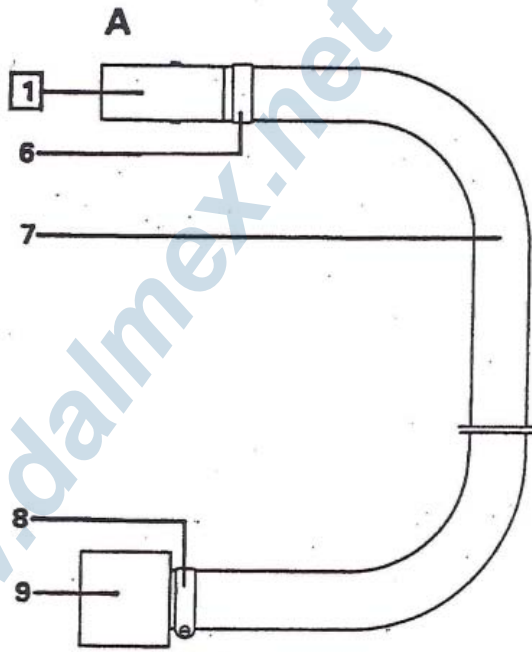
Pos	Part No	Description	Qty
104	4700045460	Rubber washer type 4. 5	4
105		Washer SRKB 12.5x35x3	4
106		Nut M12 Nyloc	4
	4700046010	Wiring diagram type 1. 3	
	4700046011	Wiring diagram type 2	
	4700046012	Wiring diagram type 4	
	4700045960	Wiring diagram type 5	
	D604800132	Packing set	1
	D604045911	Packing ring	1
	D604045913	Packing ring compl.	1
	D604000363	V-ring V 35 A	2
	D604000364	V-ring V 45 A	1
		Tolerance ring 7870	1
		Assembly instructions	1
	4700001074	Jointing plug. type 2	1
	4700003031	Jointing plug. type 4	1
	4700003030	Jointing plug. type 5	1
		Accessories Description	
		Suction hose compl. type 1. 2	
		Suction hose compl. type 3-5	
		Suction hose extension type 1. 2	
		Suction hose extension type 3-5	
		Type 1 = 380V, 2-way valve	
		Type 2 = 220V, 2-way valve	
		Type 3 = 380V, 2-way connection	
		Type 4 = 260V 60Hz, 2-way connection	
		Type 5 = 440V 60Hz, 2-way connection	



Date 2009-06

TREMIX P4001E

Pos	Part No	Description	Qty
A	4700045778	Suction hose type 1, 2	
1	4700045780	Pump connection compl.	1
2	4700045782	Rubber tube	1
3		Screw Teks HB B10x13	2
4	4700045779	Support tube	1
5	4700045781	Connection tube	1
6	4700001613	Hose clamp	1
7	D604001232	Vacuum hose 1 1/2" L=15 m	1
8	D604001256	Hose clamp	1
9	4700045775	Mat connection	1
B	4700045783	Suction hose extension type 1, 2	
1	4700045780	Pump connection compl.	1
2	4700045782	Rubber tube	1
3		Screw Teks HB B10x13	2
4	4700045779	Support tube	1
5	4700045781	Connection tube	1
6	4700001613	Hose clamp	2
7	D604001232	Vacuum hose 1 1/2" L=15 m	1
10	4700045784	Extension nipple	1
C	D604043732	Suction hose type 3-5	
11	D604000664	Suction coupling with	1
	D604000667	Rubber packing	
12	D604001256	Hose clamp	2
13	D604001232	Vacuum hose 1 1/2" L=15 m	1
14	D604044072	Hose nipple	1
15	D604000615	Ball valve	1
16	D604043862	Conical hose connection	1
D	D604044016	Suction hose extension type 3-5	
11	D604000664	Suction coupling with	2
	D604000667	Rubber packing	
12	D604001256	Hose clamp	2
13	D604001232	Vacuum hose 1 1/2" L=15 m	1





DALMEX

TREMIX®

www.dalmex.net

www.dalmex.net

www.dalmex.net

www.dalmex.net

TREMIX®

www.dalmex.net

Nordic Construction Equipment AB, PO Box 8001, SE-141 08 Kungens Kurva, Sweden.
Tel. +46 (0)8 603 32 00. Fax. +46 (0)8 646 72 61, www.tremix.com

RE P4001E EN 10