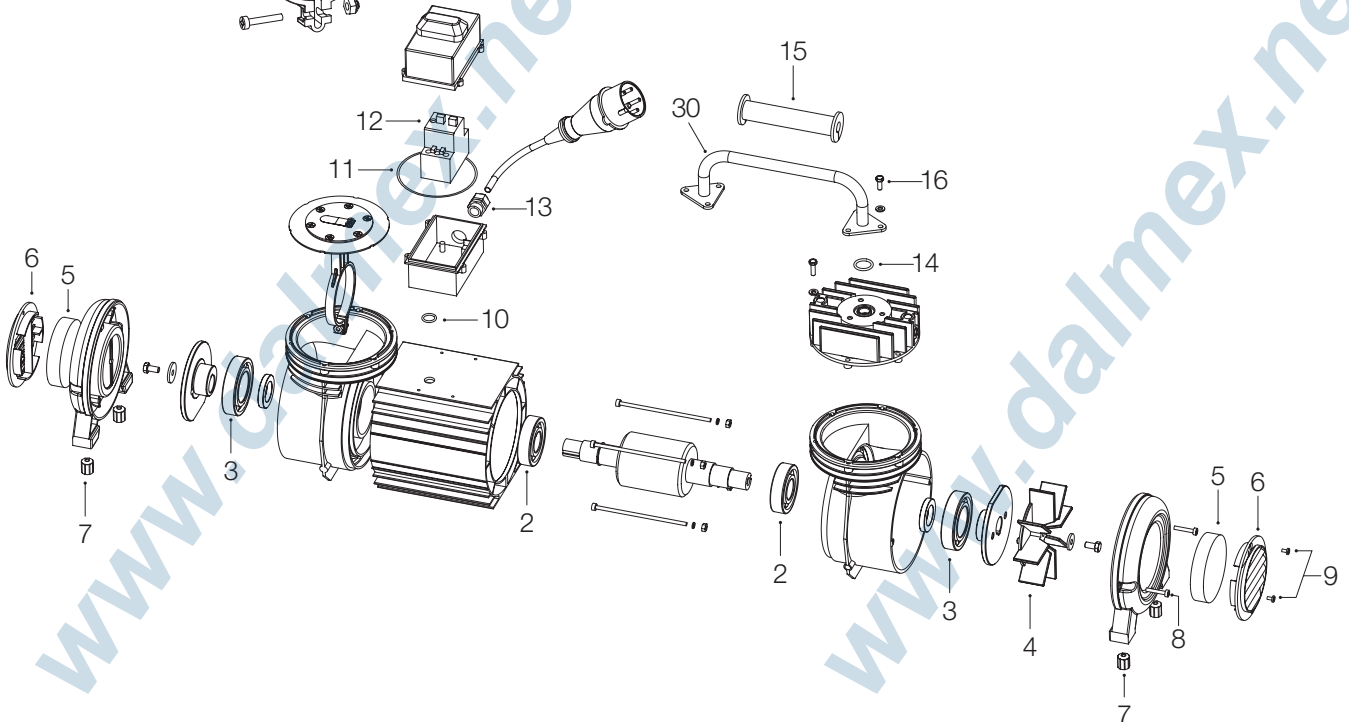
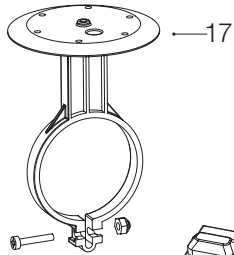
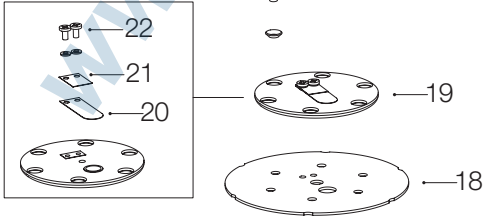
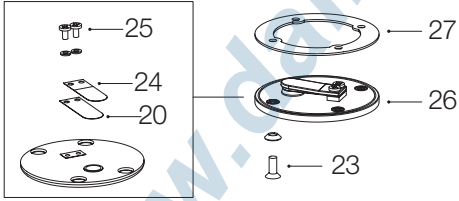
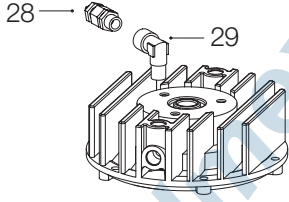
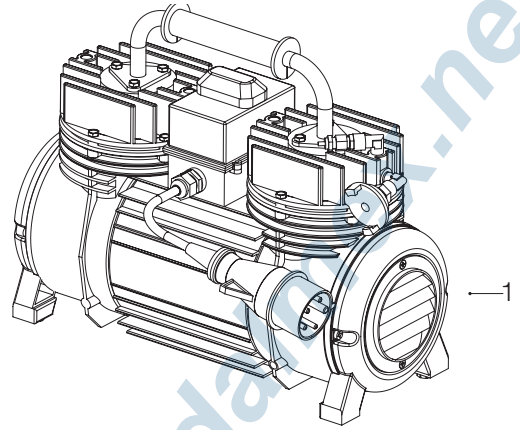


COMPRESSOR cod. 210.177





NP	N° REF	Q.TY	DESCRIPTION
1	210.177	1	Diaphragm compressor
2	265.215	2	Bearing
3	265.216	2	Bearing
4	272.189	2	Compressor fan (up to serial number 31405 excluded) - 272.234 (from serial number 31405)
5	272.167	2	Compressor air filter
6	272.190	2	Filter cover
7	272.191	4	Compressor foot
8	-----	4	Screw
9	-----	4	Screw
10	263.322	2	OR ring
11	263.323	1	OR ring
12	272.192	1	Motor protector switch (up to serial number 31405 excluded) - 272.235 (from serial number 31405)
13	554.026	1	Cable clamp
14	263.324	2	OR ring
15	272.193	1	Handle cover
16	540.012	6	Screw
17	272.195	2	Connecting rod with screw and nut
18	272.197	2	Compressor diaphragm
19	272.169	2	Valve plate 2 with valve
20	272.196	4	Valve
21	-----	8	Valve reinforcement
22	---,---	4	Screw
23	541.039	2	Screw
24	---,---	2	Valve protection
25	---,---	1	Screw
26	272.168	2	Disk with valve
27	272.194	2	Gasket
28	212.014	1	Safety valve
29	261.013	1	Brass elbow MF 1/4"
30	272.240	1	Handle